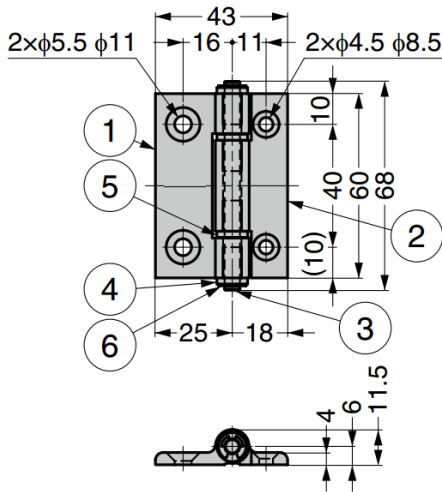


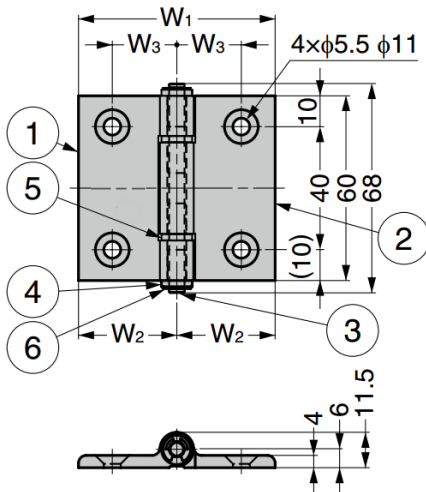
## GAS-HG-SUS Butt Hinge for Aluminium Frame

### Features

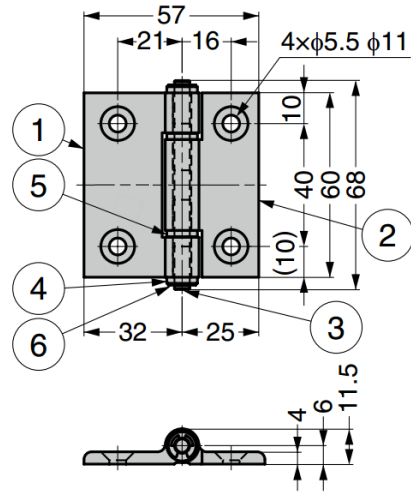
- Special hinge fits perfectly with the mounting groove of aluminium frames, no additional washers required
- Plastic bushes provide smooth movement and prevent metal-to-metal friction



GAS-HG-SUS-M3020



GAS-HG-SUS-M3030  
GAS-HG-SUS-M4040



GAS-HG-SUS-M3040

No.	Part Name	Material	Finish / Colour
①	Body A	Stainless Steel (SCS13)	Polished
②	Body B		
③	Shaft	Stainless Steel (SUS303)	Plain
④	Bush	POM	Natural
⑤	Washer	PEEK	
⑥	E-type Retaining Ring	Stainless Steel	-

Part No.	W <sub>1</sub>	W <sub>2</sub>	W <sub>3</sub>	Load Capacity (per pair)	
GAS-HG-SUS-M3020	-	-	-	294 N	30 kg
GAS-HG-SUS-M3030	50	25	16		
GAS-HG-SUS-M3040	-	-	-		
GAS-HG-SUS-M4040	64	32	21		